



HSK-5 and HSK-6 series slider is a professional equipment perfect for smooth shots during camera movement. Suitable for both light and heavy cameras and photo cameras. Specially designed cart that moves along the rail carries the camera and leads it with the object that is being filmed.

## HSK-5 slider

## HSK-6 slider

BASIC, STANDARD, PRO



Before you start your work with HSK-5 or HSK-6 slider we strongly recommend to read the manual carefully. Please note that using the device in a manner inconsistent with the instructions, unauthorized repair attempts or any kind of modifications can cause a damage the manufacturer is not responsible for.

In case of damage during transport of the slider you are required to submit:

- proof of purchase
- protective styrofoam inserts included in the set in case of new product delivery

**If you fail to comply with the abovementioned conditions, the manufacturer reserves the right to refuse the complaint.**

#### **Please Note:**

It is forbidden to remove and reinstall the cart. All attempts to do so may cause damage to the rollers, the manufacturer is not responsible for.

**Photos of the products may slightly differ from the actual product due to constant modifications and improvements introduced by the manufacturer.**

## **Table of contents**

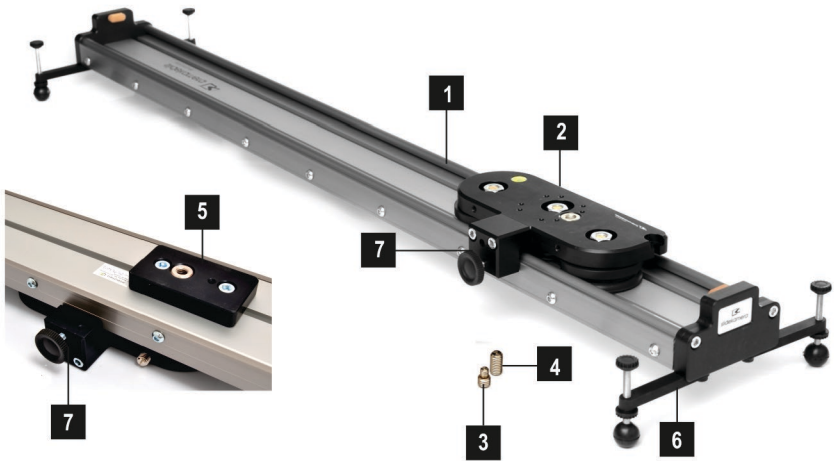
1. HSK-5 and HSK-6 slider components.....	2
1.1. Cart.....	3
1.2. Side feet.....	3
1.3. Rail and AF-8 SH port.....	5
2. Mounting accessories to the device.....	5
2.1. Mounting camera head with the use of AKC-3 Slide Kamera adapter/ Manfrotto MN577.....	5
2.2. Mounting AKC-3 Slide Kamera Adapter / Manfrotto MN577 to AF-8 SH lower port.....	6
2.2.1. Example of mounting the slider to HGO-2 rotational head.....	7
2.2.2. Example of mounting the slider to Slide Kamera HST series tripod.....	8
3. Electric drive for HSK-5 and HSK-6 sliders.....	9
3.1. HDN-2 DC drive for HSK-5 and HSK-6 sliders.....	9
3.2. HDN-2 PRO DC drive for HSK-5 and HSK-6 sliders (with photo camera synchronization).....	9
3.3. HKN-2 stepper drive for HSK-5 slider.....	9
4. Transport.....	10
5. Maintenance and operation.....	12
6. Terms of warranty.....	12

# 1. HSK-5 and HSK-6 slider components

Once the shipment is received please make sure that all elements of the drive are inside.

## Standard equipment:

- ☑ user manual
- ☑ set of styrofoam inserts to protect during transport
- ☑ rail (length depends on the model) [1]
- ☑ cart with 3/8" threaded hole [2]
- ☑ 1/4" threaded screw - AF-11SL reduction 1/4"-3/8" mandrel [3] (screwed into the side wall of the cart)
- ☑ 3/8" threaded screw - AF-12SL reduction 3/8" mandrel [4] (screwed on the top of the cart)
- ☑ AF-8 SH lower port (the amount of ports depends on the model) [5] and 5 mm Allen wrench
- ☑ side feet - 2 pcs (feet model depends on slider model) [6]
- ☑ standstill brake [7]



Model	Length of rail	Maximum permissible load	Amount of AF-8 SH ports	Side Feet Model
HSK-5 slider 1000 BASIC	1000mm	20kg	2	BASIC
HSK-5 slider 1000 STANDARD	1000mm	20kg	2	STANDARD
HSK-5 slider 5.0 1000 PRO	1000mm	20kg	2	PRO
HSK-5 slider 1500 BASIC	1500mm	20kg	3	BASIC
HSK-5 slider 1500 STANDARD	1500mm	20kg	3	STANDARD
HSK-5 slider 1500 PRO	1500mm	20kg	3	PRO
HSK-5 slider 2000 BASIC	2000mm	20kg	3	BASIC
HSK-5 slider 2000 STANDARD	2000mm	20kg	3	STANDARD
HSK-5 slider 2000 PRO	2000mm	20kg	3	PRO

Model	Length of rail	Maximum permissible load	Amount of AF-8 SH ports	Side Feet Model
HSK-6 slider 800 BASIC	800mm	15kg	1	BASIC
HSK-6 slider 800 STANDARD	800mm	15kg	1	STANDARD
HSK-6 slider 800 PRO	800mm	15kg	1	PRO

## 1.1. Cart

The cart was designed basing on high quality components, what guarantees excellent smoothness and stability of motion. It is equipped with a level [3] and a standstill brake [7]. It is possible to remove the standstill brake and mount other accessories instead, for example electric drive. The 3/8" hole [1] built-in in the cart plate allows to mount devices with either 1/4" or 3/8" thread on the cart with the use of a proper reduction:

- ☑ AF-12SL reduction 3/8" mandrel with a cross-cut for a flat wrench [6]
- ☑ AF-11SL reduction 1/4"-3/8" mandrel with a cross-cut for a flat wrench [5]

In addition, there are 8 M4 holes [2] (AKC-3 adapter hole spacing or an adapter such as Manfrotto MN577). Three bearinged rollers [8] move along a specially designed aluminum rail.

3/8" threaded hole [1]

M4 hole [2]

Level [3]

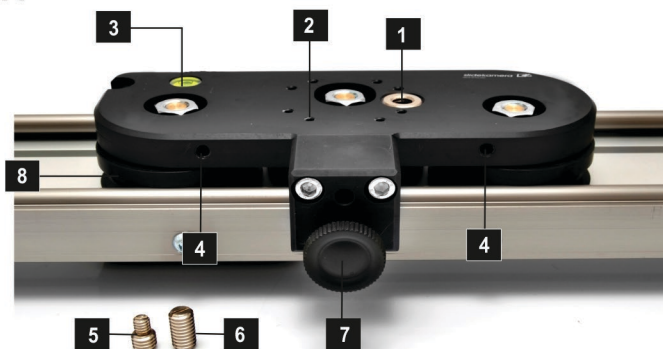
1/4" threaded hole [4]

AF-11SL reduction 1/4"-3/8" mandrel with a cross-cut for a flat wrench [5]

AF-12SL reduction 3/8" mandrel with a cross-cut for a flat wrench [6]

Standstill brake [7]

Roller [8]



## 1.2. Side feet

Rail of our device is equipped with side feet, that allow to set the slider in a stable position. Type of feet depends on the model of the slider you choose.

When using PRO and STANDARD feet it is possible to mount the slider on two tripods, what considerably increases stability of the support.



## BASIC side feet for HSK-5 and HSK-6 sliders

**Quick Folding System** allows to quickly and comfortably unfold and prepare the side feet to work, as well as fold them and prepare for transport.

**Quick Grip system** allows to lock the feet in any height comfortably (thanks to the ball latch). Height adjustment range up to 4cm.



## STANDARD side feet for HSK-5 and HSK-6 sliders

**Quick Folding System** allows to quickly and comfortably unfold and prepare the side feet to work, as well as fold them and prepare for transport. Feet are equipped with steel joints of high durability and resistance to damage. Adjustable rubber ball-shaped ends assure precise positioning of the slider on the ground and protect against slipping. Set of adjustable - clamping knobs allows to adjust the position of side feet in a fast and easy way. Strong construction allows to achieve high rigidity even with payloads up to 30kg. Side feet adjustment range:

**HSK-5:** height adjustment range up to 120cm, width adjustment range up to 400mm.

**HSK-6:** height adjustment range up to 120cm, width adjustment range up to 300mm.



## PRO side feet for HSK-5 and HSK-6 sliders

**Quick Folding System** allows to quickly and comfortably unfold and prepare the side feet to work, as well as fold them and prepare for transport. Feet are equipped with steel joints of high durability and resistance to damage. Springs inside the joints allow to set the arms of the feet in a proper position and protect the steel joints from excessive wear and tear. Adjustable rubber ball-shaped ends assure precise positioning of the slider on the ground and protect against slipping. Set of adjustable - clamping knobs allows to adjust the position of side feet in a fast and easy way. Strong construction allows to achieve high rigidity even with payloads up to 30kg. Side feet adjustment range:

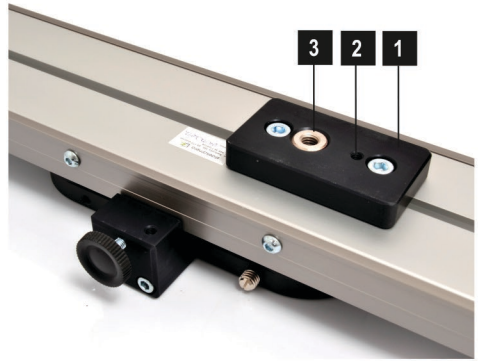
**HSK-5:** height adjustment range up to 180cm, width adjustment range up to 500mm.

**HSK-6:** height adjustment range up to 180cm, width adjustment range up to 500mm.



### 1.3. Rail and AF-8 SH port

Rail is equipped with AF-8 SH port (mounting plate) [1], which allows to mount the slider HSK-5 or HSK-6 directly on the tripod or camera head. There is a 1/4" [2], and 3/8" [3] threaded hole on the plate. Amount of mounting plates depends on slider model you select. There is a possibility to exchange AF-8 SH port with AF-8 LG mounting port which is recommended when mounting HSK-5 slider with Slide Kamera HKN-2 stepper drive on tripods equipped with a big crown.



## 2. Mounting accessories to the device

### 2.1. Mounting camera head using Slide Kamera AKC-3 adapter or Manfrotto MN577 adapter

Remove the 3/8" threaded screw - AF-12SL reduction 3/8" mandrel with a cross-cut for a flat wrench and 1/4" threaded screw - AF-11SL reduction 1/4"-3/8" mandrel.



Release the clamps and slide the AK-101 sliding plate out of the AKC-3 adapter. Screw in the base of AKC-3 adapter or Manfrotto MN577 to the plate of the cart using the shorter M4 screws (3mm Allen wrench). There are eight M4 holes on the plate of the cart, what enables to mount the adapter in two positions (parallel and perpendicular to the cart).



Remove the screws : 2 x M8 [1] with square nuts from Slide Kamera AK-101 sliding plate and:

- 1/4" photographic screw [2] in the case of mounting the head equipped with 3/8" hole
- 3/8" photographic screw [3] in the case of mounting the head equipped with 1/4" hole
- grub screw locking 1/4" and 3/8" screws [4]

1/4" and 3/8" photographic screws are locked with a grub screw (for 2,5 mm Allen wrench) placed on the side of the AK-101 sliding plate.



Screw in Slide Kamera AK-101 sliding plate to the camera head equipped with 1/4" or 3/8" threaded hole using a suitable photographic screw (1/4" or 3/8").

Slide the head into the adapter base.  
Lock the clamping knobs of the adapter.



Mounting Slide Kamera AKC-3 adapter or Manfrotto MN577 adapter on the cart allows to change the accessories used in photo-video productions in a fast and easy way.

## 2.2. Mounting Slide Kamera AKC-3 Adapter / Manfrotto MN577 to the AF-8 lower port

Mounting AKC-3 Slide Kamera adapter or Manfrotto MN577 adapter to the AF-8 SH lower port (added to the slider) allows to quickly dismount the device from the accessory such as tripod, rotational head or any other.

Slide out the AK-101 sliding plate from the AKC-3 adapter, remove all screws except for the 3/8" and 1/4" photographic screws and the grub that locks them.



Mount the Slide Kamera AK-101 sliding plate to the AF-8 lower port using 3/8" and 1/4" screws.



AK- 101 sliding plate can also be mounted directly to the rail using M8 screws and square nuts that fit into the slot in the profile (applies only to HSK-5 slider). In this case, disassemble side foot from the slider and insert the nuts into the slot in the same way you attach AF-8 SH port.



### 2.2.1. Example of mounting the slider to the HGO-2 rotational head

Remove the AF-12LG reduction screwed into the 3/8" central hole of the rotational head. Mount Slide Kamera AKC-3 adapter base to the rotational head disc using short M4 screws (supplied with Slide Kamera AKC-3 adapter).



Slide the AK-101 sliding plate into the AKC-3 adapter base thus connecting HSK series slider to HGO-2 rotational head. Lock the clamping knobs of the adapter.





## 2.2.2. Example of the slider to Slide Kamera HST series tripod

Mount Slide Kamera AKC-3 adapter base to the Slide Kamera HST series tripod socket using for instance Manfrotto 75mm 520 BALLSH half ball or Slide Kamera HSZ-2 quick mounting screw.



Slide the AK-101 sliding plate into the AKC-3 adapter base thus connecting the slider to Slide Kamera HST series tripod. Lock the clamping knobs of the adapter.



Slide Kamera products are specially designed to allow to mount various accessories in a variety of combinations. Our solutions provide great configuration possibilities and universality of our products.



### 3. Electric drive for HSK-5 and HSK-5 sliders

#### 3.1. HDN-2 DC drive for HSK-5 and HSK-5 sliders

Slide Kamera drive specially designed for smooth shots in motion ranging from 2mm/s to 55mm/s as well as Timelapse photos. The cart is is driven by a DC motor connected to the controller. Drive can be supplied from either AC adapter or three R6/AA batteries.



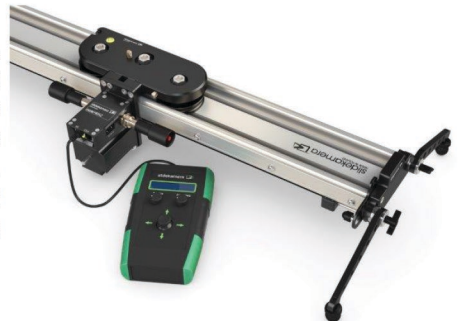
#### 3.2. HDN-2 PRO DC drive for HSK-5 and HSK-5 sliders (with photo camera synchronization)

Slide Kamera drive specially designed for smooth shots in motion ranging from 2mm/s to 55mm/s as well as Timelapse photos. The cart is is driven by a DC motor connected to the controller. Drive can be supplied from either AC adapter or three R6/AA batteries.



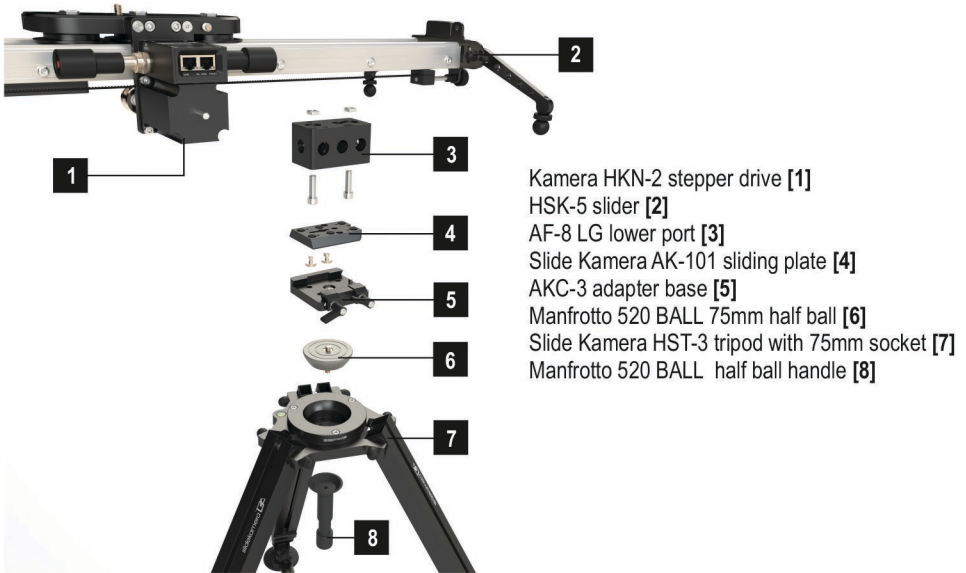
#### 3.3. HKN-2 stepper drive for HSK-5 slider

Slide Kamera HKN-2 stepper drive for HSK-5 sliders, is equipment specially designed for smooth shots in motion as well as Timelapse photos. HKN-2 stepper drive consists of an intuitive controller and a driving motor. Simple and functional menu provides excellent ergonomics of use. To eliminate any movement during shutter release, HKN-2 set includes a shutter release cable that is used in VIDEO, ANIMATION and TIMELAPSE working programs.



#### NOTE:

In case of mounting HSK-5 slider with HKN-A stepper drive on a tripod it is necessary to replace mounting port with AF-8 LG port that ensures higher mounting of the slider with a toothed belt and a driving motor attached. In case of traditional lower AF-8 mounting ports, the drive can hit the tripod crown.



### 3. Transport

HSK-5 and HSK-6 sliders are extremely precise devices allowing to obtain excellent visual effects, however some of the elements of our sliders are susceptible to damage. These are the guide rails, which are in direct contact with the rollers and the rollers themselves. Even the smallest damage (hitting, scratching) can cause performance deterioration of the device. During the transportation it is crucial to secure the abovementioned elements in the most effective way. It is recommended to transport the slider in, for example: Slide Kamera PSK cover or Slide Kamera CSK transport case, or in any way so that the rails and rollers are protected against damage.

Table presenting different models of Slide Kamera PSK transport covers.

Model	Length	Number of pockets	Application
PSK-2	800mm	1	HSK-6 slider 800 BASIC, STANDARD, PRO
PSK-3	1000mm	2	HSK-5 slider 1000 BASIC, STANDARD, PRO
PSK-4	1500mm	2	HSK-5 slider 1500 BASIC, STANDARD, PRO
PSK-5	2000mm	2	HSK-5 slider 2000 BASIC, STANDARD, PRO

**Slide Kamera PSK transport cover** is made of waterproof polyester fabric of high durability, resistant to abrasion and weather conditions. It is equipped with inside straps that secure the slider during transport. Sides of PSK cover are filled with 1cm Nexus foam.

**Slide Kamera CSK-4 transport case** is made of waterproof plywood covered with phenolic film (a substance that protects against the weather conditions). It is composed of main internal compartment for Slide Kamera HSK-5 slider with any model of side feet or the drive mounted, as well as smaller compartments for other components such as AC adapter, batteries, cables or controller. The case is equipped with two corner wheels to provide comfort during transport.

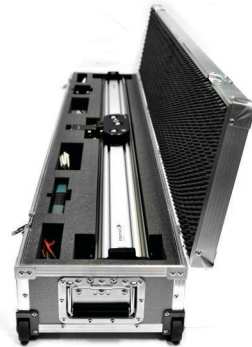
**Table presenting different models of Slide Kamera CSK-4 transport cases.**

Model	Length	Application
CSK-4 1000	1000mm	HSK-5 slider 1000 BASIC, STANDARD, PRO
CSK-4 1500	1500mm	HSK-5 slider 1500 BASIC, STANDARD, PRO
CSK-4 2000	2000mm	HSK-5 slider 2000 BASIC, STANDARD, PRO

**During transport the cart should be immobilized and feet assembled.**



Slide Kamera PSK-3 cover



CSK-4 transport case for Slide Kamera HSK-5 1500

**BASIC side feet properly assembled for transport.**



## 4. Maintenance and operation

- ☑ By maintenance we understand cleaning the device and periodically checking the clearance between the rail and the rollers of the cart
- ☑ Use a soft cloth to clean. Never use abrasive or caustic products, which could cause the damage of the protective coatings
- ☑ To remove any impurities, you can use compressed air
- ☑ **Do not lubricate the rollers, or rails along which the rollers move**
- ☑ To clean the center roller, you can use ear stick with cotton bud
- ☑ In case of an excessive clearance of the cart please contact Slide Kamera service
- ☑ Do not leave the device in the sun because the grease may flow out from the roller bearings what can lead to a serious damage

**Any changes in the design and repairs are made only and exclusively by the manufacturer  
Failure to comply with the recommended guidelines outlined in this manual will result  
in loss of warranty.**

## 5. Terms of warranty

All Slide Kamera products are covered manufacturer's warranty for a period of 12 months from the date of sale. Warranty covers any design faults or of the material of the product which resulted in the product malfunctioning. The warranty covers the repair, or, if the repair proves impossible, replacement of the product with a new one. However, the cost of repair of cannot overrun the catalogue value of the product. The warranty does not cover damage and / or product defects resulting from the improper usage, as well as not following product maintenance specifications.

### The warranty excludes:

- ☑ unauthorized attempts to repair or modify
- ☑ mechanical damage caused during transport and operation of such features, scratches, dents, pits, dirt, etc ...
- ☑ flooding, moisture

To obtain warranty service the purchaser should deliver the damaged product together with a proof of purchase and proof of payment (invoice, cash register receipt). The product will be accepted for warranty service on condition that it will be delivered with correctly filled in complaint form and properly protected during transport. You can download the complaint form from: [www.slidekamera.pl](http://www.slidekamera.pl) / [www.slidekamera.eu](http://www.slidekamera.eu)

After the warranty period is exceeded any spare parts can be purchased directly from the manufacturer or in any selected points of sale.

The manufacturer runs also a post warranty service: HET-CNC s.c., 80-175 Gdańsk, Ul. Kartuska 386